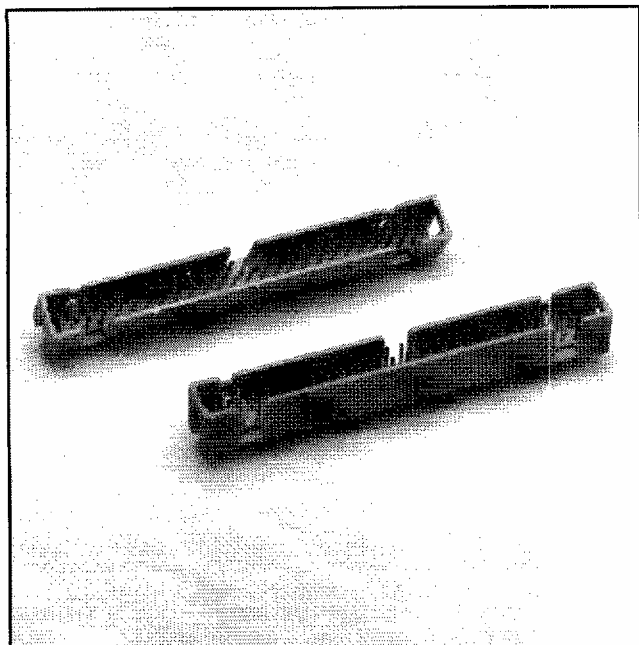


.100" x .100" Low Profile Header

Straight, 4 Wall, High Temp

2500 Series



70

TS-0486-06
Sheet 1 of 2

- Low profile, space saving design
- Socket compatibility for current design validation
- Center slot polarization prevents mis-insertions and reduces insertion time
- Dual slot polarization means broader compatibility with competitive polarization designs
- Optional retainer clamp for locking sockets in place and increasing connection reliability in vibration-prone environments
- High temperature

Physical

Insulation

Material: Glass Filled Polyester (PBT)
Flammability: UL 94V-0
Color: Beige
Marking: 3M Logo, and Orientation Triangle

Contact

Material: Phosphor Bronze (C510)
Plating
Underplate: 100 μ " [2.54 μ m] Nickel — QQ-N-290, Class 2
Wiping Area: Gold — MIL-G-45204, Type II, Grade C
Solder Tails: 200 μ " [5.08 μ m] 60/40 Tin Lead — MIL-P-81728

Electrical

Current Rating: 2 A
Insulation Resistance: $>1 \times 10^9 \Omega$ at 500 Vdc
Withstanding Voltage: 1000 Vrms at Sea Level

Environmental

Temperature Rating: -55°C to $+105^\circ\text{C}$
Processing: Maximum 235°C , with 90 Seconds over 215°C

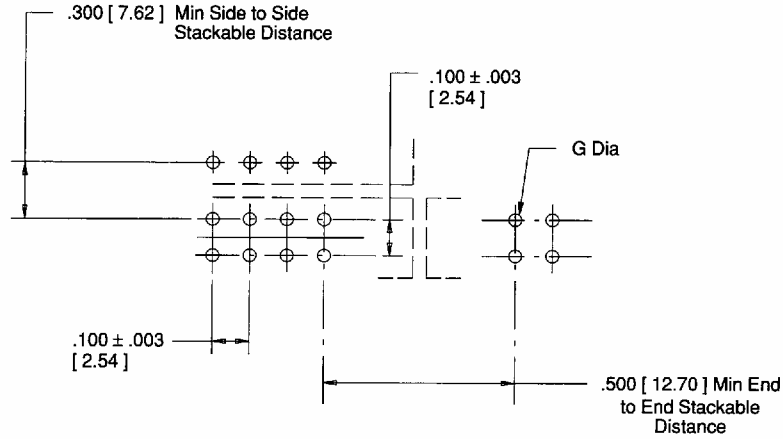
UL File No.: E68080
CSA File No.: LR 40971

.100" x .100" Low Profile Header

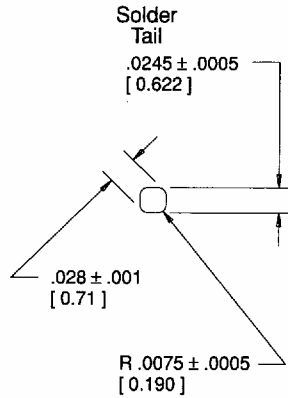
Straight, 4 Wall, High Temp

2500 Series

3M Part No. Suffix	Tail	Dim E	Dim F			Dim G	
-60X2	2	.112 [2.84]	.0245 ± .0005 [0.622]	with	.028 ± .001 [0.71]	Diagonals	.035 ± .003 [0.89] (Note 2)
-6003	3	.155 [3.94]	.0245 ± .0005 [0.622]	with	.028 ± .001 [0.71]	Diagonals	.035 ± .003 [0.89]



Recommended P.C. Board Hold Pattern (Shown for Mounting Side of Board)



Pin Cross Section

Sheet 2 of 3

TS-0486-06

Ordering Information

N 25XX-60XX-XX

Pin Quantity:
See Table

- Tail
- 02 = Solder Tails for .062 [1.57] Thick Board.
 - K2 = Kinked Solder Tails for .062 [1.57] Thick Board.
 - 03 = Solder Tails for .094 to .125 [2.39 to 3.18] Thick Board.

Mating Plating Thickness:
UG = 10 μ" [0.25 μm]
UB = 30 μ" [0.76 μm]

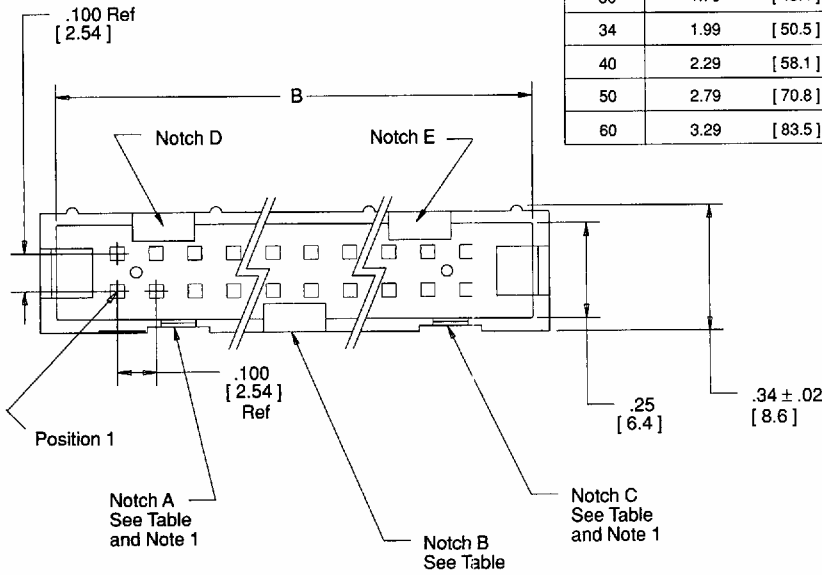
.100" x .100" Low Profile Header

Straight, 4 Wall, High Temp

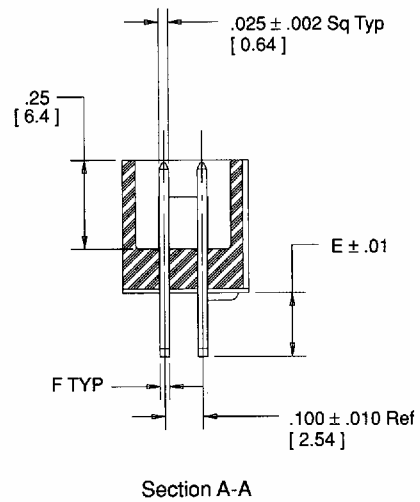
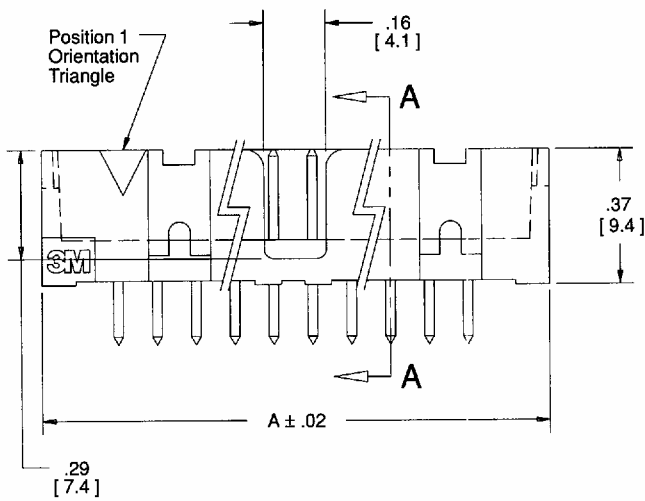
2500 Series

Sheet 3 of 3

PIN QTY	DIM A		DIM B		POLARIZING NOTCHES PROVIDED
		[mm]		[mm]	
10	0.79	[20.0]	0.70	[17.8]	BC
14	0.99	[25.1]	0.90	[22.8]	BCDE
16	1.09	[27.6]	1.00	[25.4]	ABCDE
20	1.29	[32.7]	1.20	[30.4]	ABCDE
24	1.49	[37.8]	1.40	[35.5]	ABCDE
26	1.59	[40.3]	1.50	[38.1]	ABCDE
30	1.79	[45.4]	1.70	[43.2]	ABCDE
34	1.99	[50.5]	1.90	[48.2]	ABCDE
40	2.29	[58.1]	2.20	[55.9]	ABCDE
50	2.79	[70.8]	2.70	[68.6]	ABCDE
60	3.29	[83.5]	3.20	[81.3]	ABCDE



TS-0486-06



Inch [mm]

Tolerance Unless Noted			
	.0	.00	.000
Inch	±.1	±.01	±.005

Notes :

- Notches "A" and "C" will accommodate 3M Polarizing Keys. (Part number 3518 or M3518)
- The recommended PCB hole size for the kinked tail positions on the .112" solder tail connector is .035" ± .002.

[] Dimensions for Reference Only